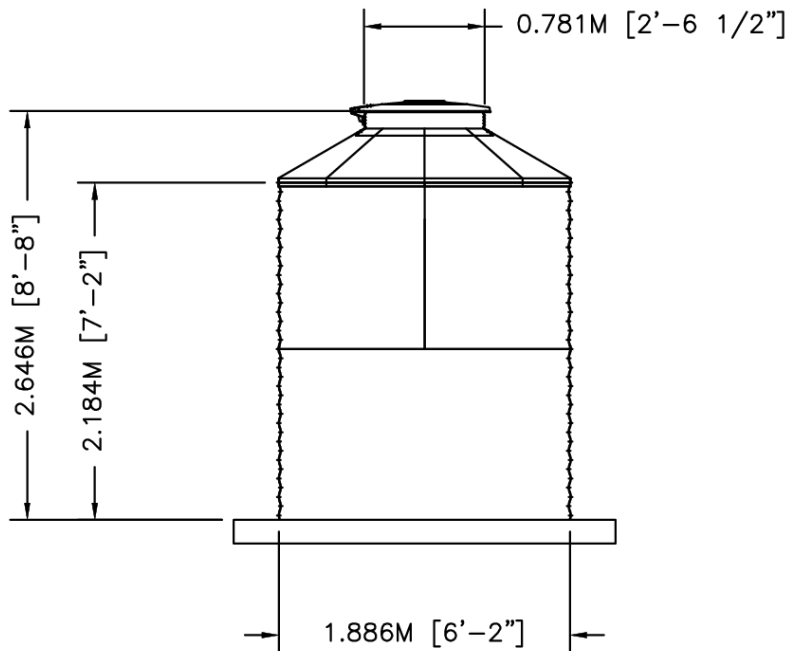



PLAN



ELEVATION

		BY	DATE	TITLE	
	DWN	XXX	XX/XX/XX	WTU02-02 30"PR 30DEG FLAT PANEL	
	CKD			NOMINAL CAPACITY - 5.746 M3 [1,518 GAL]	
	ENG			DWG. NO. SCT602-FP WTU02-02	REV. NO.
				SIZE: A	SCALE: 1/4"=1'-0"
					SHEET 1 OF 1